

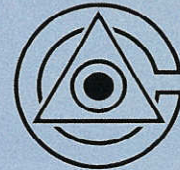
Nagaki TOOLS



RATCHET PULLERS (5KN~60KN)



ISO 9001:2000
CERTIFICATED



Accredited by RvA

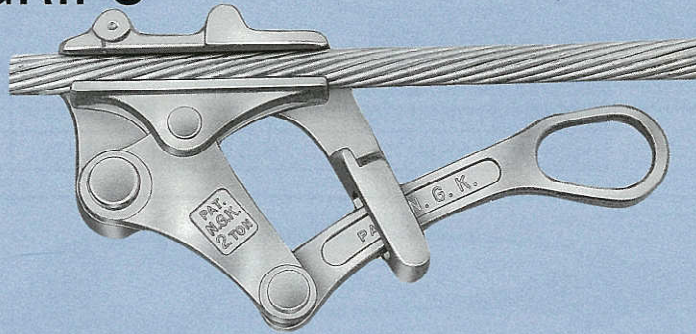
86-93



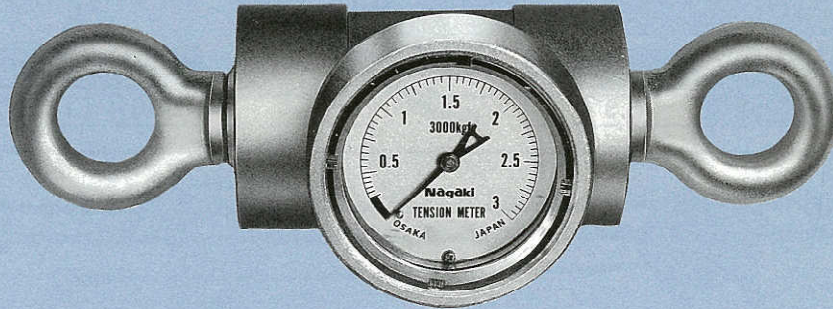
REGISTERED FIRM

No. 0558

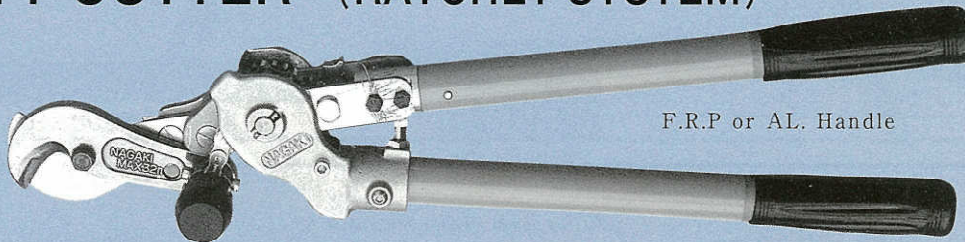
WIRE GRIPS



TENSION METERS (A-1~A-100)



MIGHTY CUTTER (RATCHET SYSTEM)



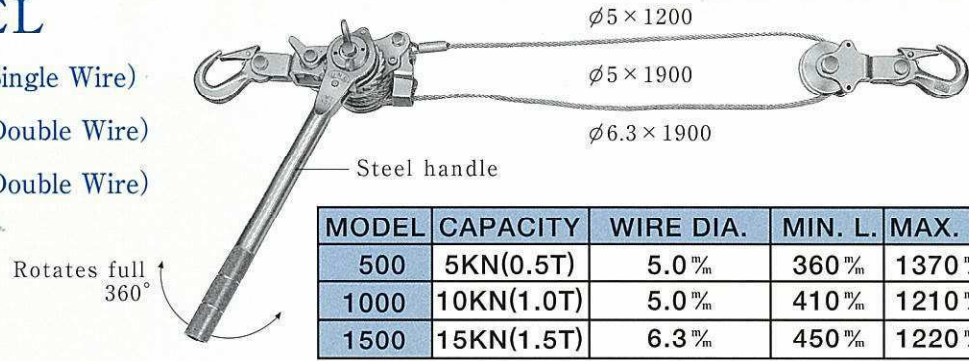
F.R.P or AL. Handle

AC SR	HAL	CU	ST	LENGTH	WEIGHT
160mm ²	400mm ²	150mm ²	45mm ²	600 ^{mm}	2.8kg

NAGAKI RATCHET PULLERS

MODEL

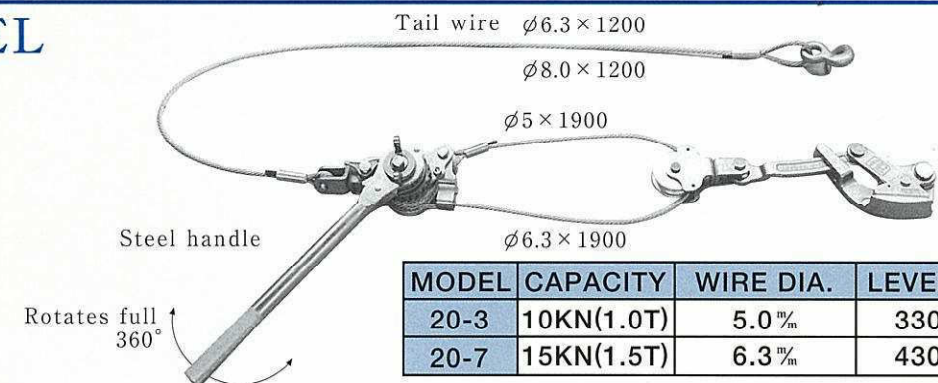
- 500 (Single Wire)
- 1000 (Double Wire)
- 1500 (Double Wire)



MODEL	CAPACITY	WIRE DIA.	MIN. L.	MAX. L.	LEVER L.	WT.
500	5KN(0.5T)	5.0 ^m _m	360 ^m _m	1370 ^m _m	330 ^m _m	2.4kg
1000	10KN(1.0T)	5.0 ^m _m	410 ^m _m	1210 ^m _m	330 ^m _m	3.1kg
1500	15KN(1.5T)	6.3 ^m _m	450 ^m _m	1220 ^m _m	430 ^m _m	4.3kg

MODEL

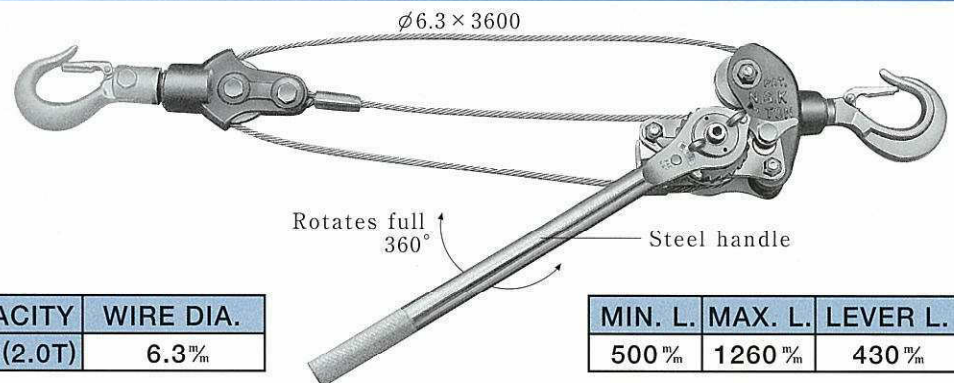
- 20-3
- 20-7



MODEL	CAPACITY	WIRE DIA.	LEVER L.	GRIP	WT.
20-3	10KN(1.0T)	5.0 ^m _m	330 ^m _m	1TON	4.2kg
20-7	15KN(1.5T)	6.3 ^m _m	430 ^m _m	2TON	5.5kg

MODEL

- 2000



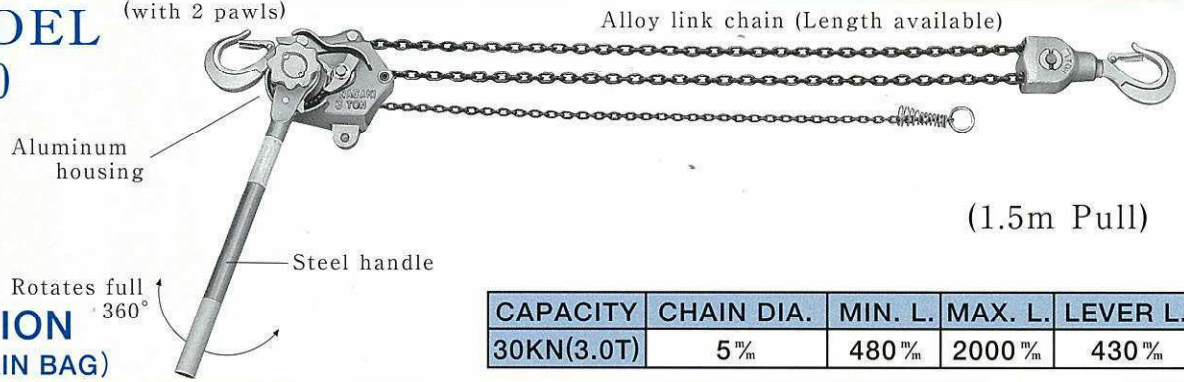
CAPACITY	WIRE DIA.
20KN(2.0T)	6.3 ^m _m

MIN. L.	MAX. L.	LEVER L.	WT.
500 ^m _m	1260 ^m _m	430 ^m _m	6kg

MODEL

- 3000

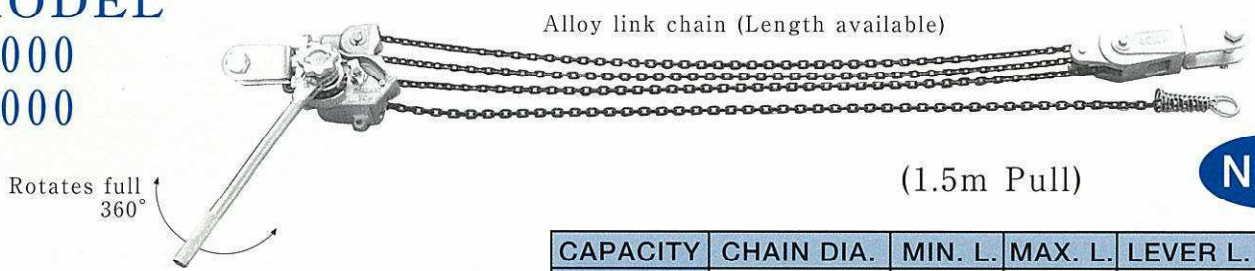
(with 2 pawls)



CAPACITY	CHAIN DIA.	MIN. L.	MAX. L.	LEVER L.	WT.
30KN(3.0T)	5 ^m _m	480 ^m _m	2000 ^m _m	430 ^m _m	8kg

MODEL

- 4000
- 6000



CAPACITY	CHAIN DIA.	MIN. L.	MAX. L.	LEVER L.	WT.
40KN(4.0T)	5 ^m _m	580 ^m _m	2180 ^m _m	430 ^m _m	12kg
60KN(6.0T)	5 ^m _m	650 ^m _m	2250 ^m _m	430 ^m _m	19kg

NEW

OPTION
(CHAIN BAG)

MODEL

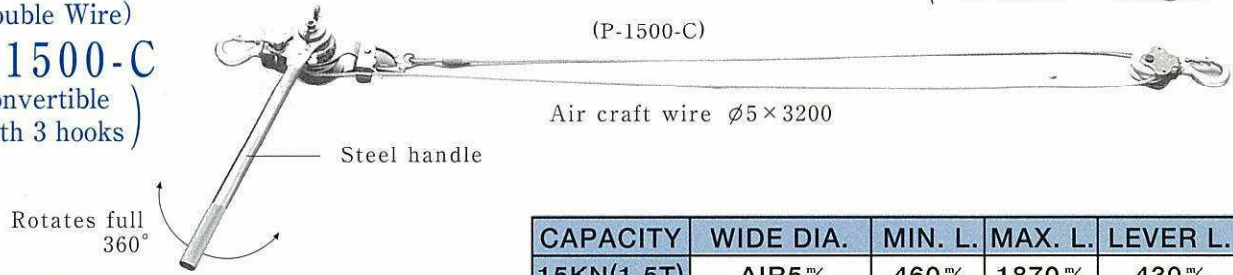
P-1500

(Double Wire)

P-1500-C

(Convertible
with 3 hooks)

(1.4m double × 2.8m Pull single wire)

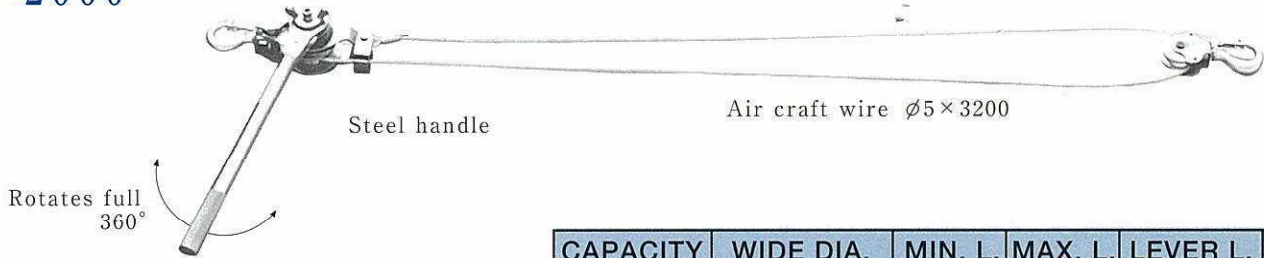


CAPACITY	WIDE DIA.	MIN. L.	MAX. L.	LEVER L.	WT.
15KN(1.5T)	AIR5 ^m	460 ^m	1870 ^m	430 ^m	4.1kg

MODEL

P-2000

(1.4m Pull)

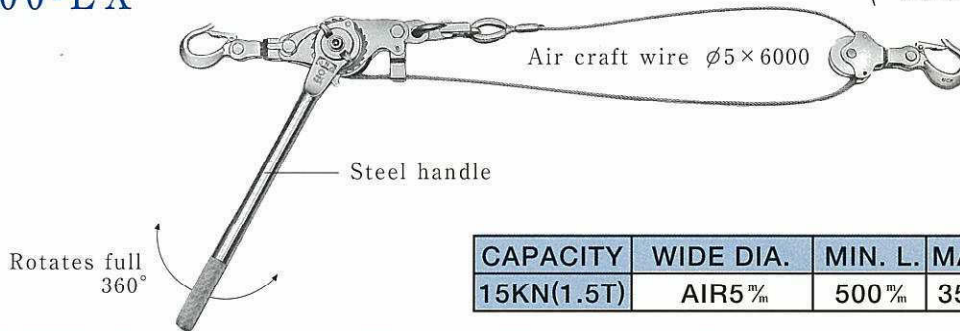


CAPACITY	WIDE DIA.	MIN. L.	MAX. L.	LEVER L.	WT.
20KN(2.0T)	AIR5 ^m	460 ^m	1870 ^m	430 ^m	4.1kg

MODEL

P-1500-EX

(3m double × 6m Pull single wire)



CAPACITY	WIDE DIA.	MIN. L.	MAX. L.	LEVER L.	WT.
15KN(1.5T)	AIR5 ^m	500 ^m	3500 ^m	430 ^m	5kg

MODEL RICKY-2

Alloy link chain (Length available)

(1.5m Pull)



(Only 4kg wt)

CAPACITY	CHAIN DIA.	MIN. L.	MAX. L.	LEVER L.	WT.
7.5KN(3/4T)	5 ^m	300 ^m	1800 ^m	230 ^m	4kg

MODEL RICKY-3

Alloy link chain (Length available)

(1.5m Pull)



(Only 5kg wt)

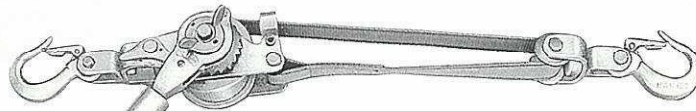
CAPACITY	CHAIN DIA.	MIN. L.	MAX. L.	LEVER L.	WT.
15KN(1.5T)	5 ^m	350 ^m	1850 ^m	230 ^m	5kg

WEB-STRAP RATCHET-PULLERS

MODEL

N-1000
N-1500

All web strap can be expected insulating factor when dry and clean



(0.8m Pull)

F.R.P Insulated handle

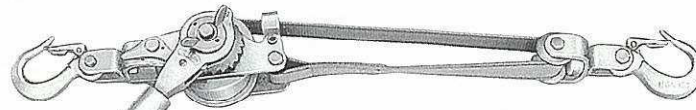
Rotates full
360°

MODEL	CAPACITY	STRAP SIZE	MIN. L.	MAX. L.	LEVER L.	WT.
N-1000	10KN(1.0T)	2×33 ^m / _m	420 ^m / _m	1270 ^m / _m	400 ^m / _m	3.2kg
N-1500	15KN(1.5T)	2×40 ^m / _m	450 ^m / _m	1300 ^m / _m	460 ^m / _m	4.5kg

MODEL

N-1000P
N-1500P

(1.5m Pull)



F.R.P Insulated handle

Rotates full
360°

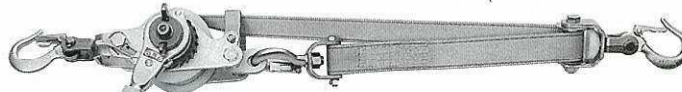
MODEL	CAPACITY	STRAP SIZE	MIN. L.	MAX. L.	LEVER L.	WT.
N-1000P	10KN(1.0T)	2×33 ^m / _m	440 ^m / _m	1940 ^m / _m	400 ^m / _m	3.3kg
N-1500P	15KN(1.5T)	2×40 ^m / _m	470 ^m / _m	1970 ^m / _m	460 ^m / _m	4.6kg

MODEL

N-1500P-EX

(For Hot Line Work Model N-1500P-EX-H)
with detachable handle available

(Convertible
with 3 hooks)



F.R.P
Insulated handle

(1.5m Pull double × 3m Pull single)

NEW

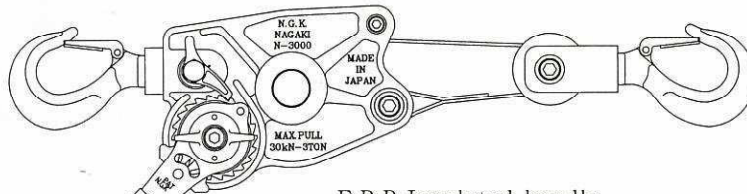
Rotates full
360°

CAPACITY	STRAP SIZE	MIN. L.	MAX. L.	LEVER L.	WT.
15KN×7.5KN	2×40 ^m / _m	500 ^m / _m	2000 ^m / _m	460 ^m / _m	5kg

MODEL

N-3000

(1.5m Pull)



F.R.P Insulated handle

Rotates full
360°

NEW

CAPACITY	STRAP SIZE	MIN. L.	MAX. L.	LEVER L.	WT.
30KN(3T)	2.5×50 ^m / _m	500 ^m / _m	2000 ^m / _m	460 ^m / _m	7kg

⚠ WARNING : THE PULLERS IN THIS CATALOGUE CAN NOT BE USED FOR LIFTING AND LOWERING AND FOR SUPPORTING HUMAN CARGO!!

NAGAKI WIRE GRIPS

MINI-GRIP

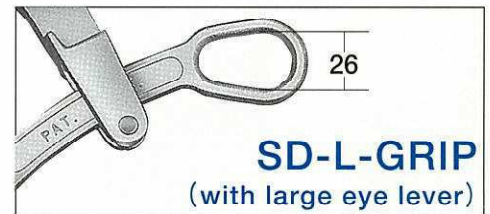
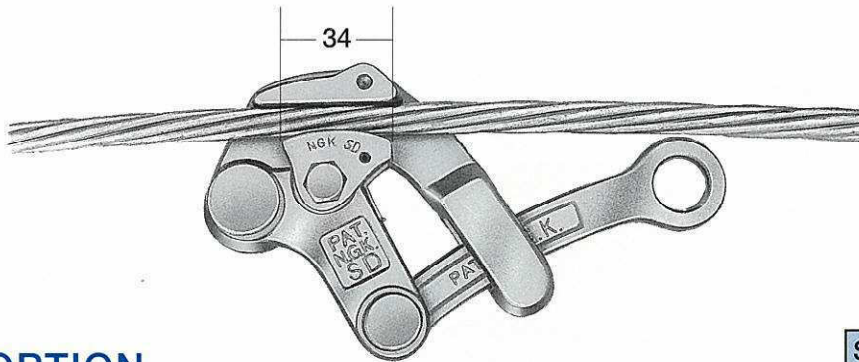
For steel rod, barbed wire and messenger wire



SAFE LOAD	MIN. ROD DIA.	MAX. ROD DIA.	WT.
5KN(0.5T)	1 ⁷ / ₈ "	10 ⁷ / ₈ "	0.3kg

SD-GRIP

For steel rod, copper cable and messenger wire

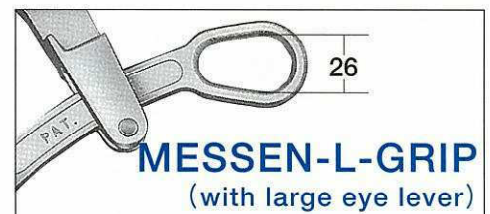
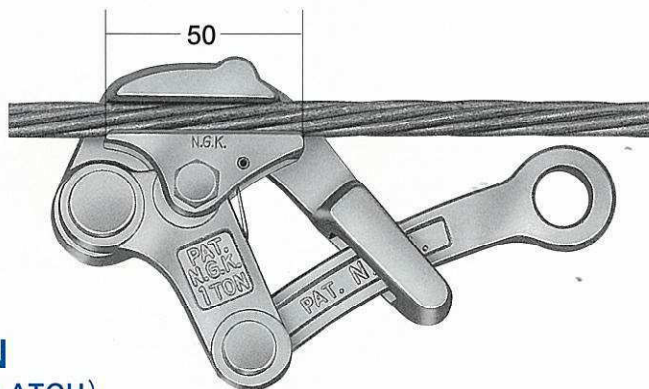


OPTION
(SAFETY LATCH)

SAFE LOAD	MIN. CABLE DIA.	MAX. CABLE DIA.	WT.
10KN(1.0T)	2.6 ⁷ / ₈ "	15 ⁷ / ₈ "	0.6kg

MESSEN-GRIP

For copper cable and messenger wire

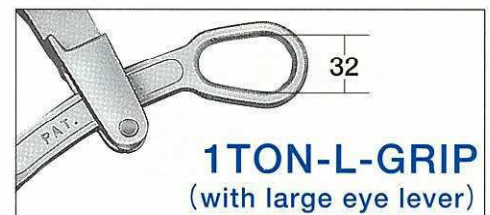
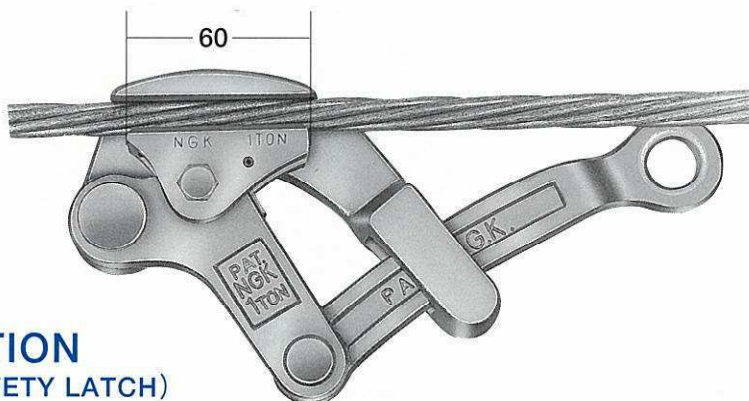


OPTION
(SAFETY LATCH)

SAFE LOAD	MIN. CABLE DIA.	MAX. CABLE DIA.	WT.
10KN(1.0T)	4 ⁷ / ₈ "	12 ⁷ / ₈ "	0.7kg

1TON-GRIP

For bare copper cable, covered conductor and messenger wire

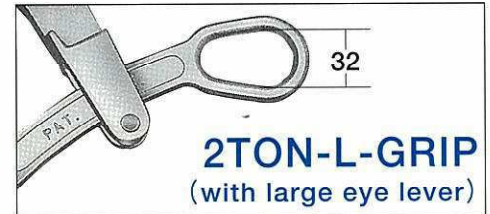
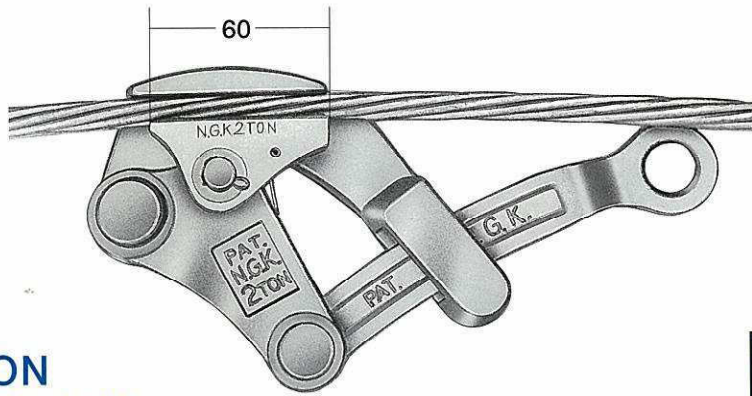


OPTION
(SAFETY LATCH)

SAFE LOAD	MIN. CABLE DIA.	MAX. CABLE DIA.	WT.
10KN(1.0T)	4 ⁷ / ₈ "	22 ⁷ / ₈ "	1.1kg

2TON-GRIP

For bare copper cable, covered conductor and messenger wire



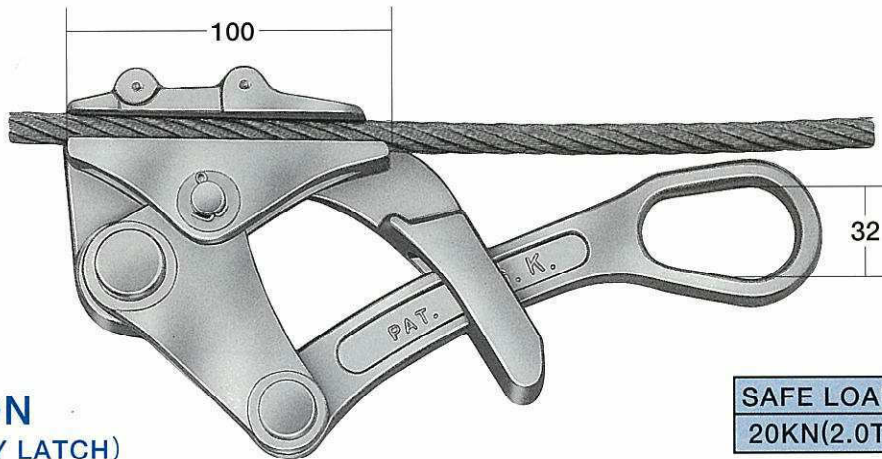
2TON-L-GRIP
(with large eye lever)

OPTION
(SAFETY LATCH)

SAFE LOAD	MIN. CABLE DIA.	MAX. CABLE DIA.	WT.
20KN(2.0T)	4 ³ / ₁₆ "	22 ³ / ₁₆ "	1.3kg

2TON-W-GRIP

For wire rope, messenger wire, copper cable, Trolley cable

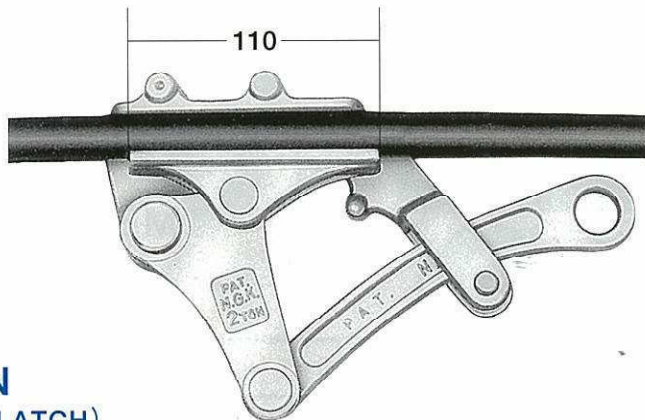


OPTION
(SAFETY LATCH)

SAFE LOAD	MIN. WIRE DIA.	MAX. WIRE DIA.	WT.
20KN(2.0T)	5 ³ / ₁₆ "	16 ³ / ₁₆ "	1.4kg

MIDDLE-GRIP

For copper cable, covered conductor and messenger wire



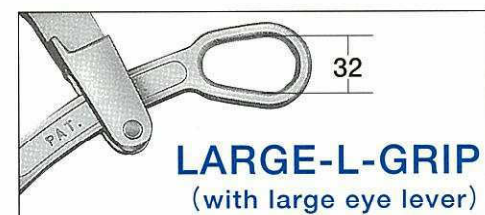
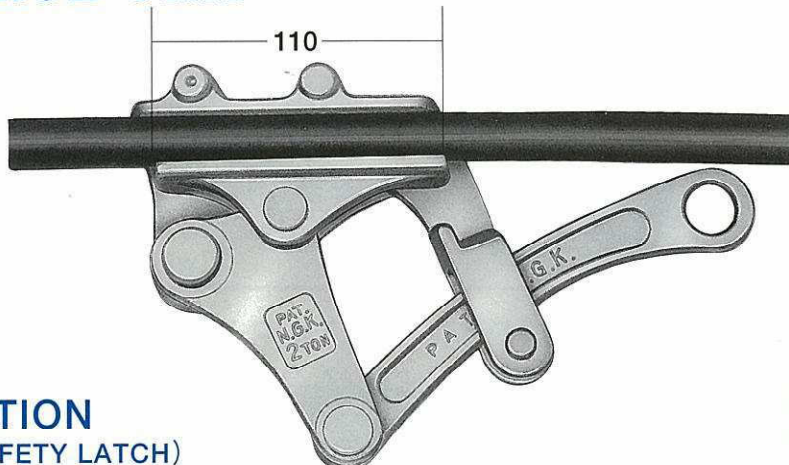
MIDDLE-L-GRIP
(with large eye lever)

OPTION
(SAFETY LATCH)

SAFE LOAD	MIN. CABLE DIA.	MAX. CABLE DIA.	WT.
20KN(2.0T)	5 ³ / ₁₆ "	25 ³ / ₁₆ "	1.8kg

LARGE-GRIP

For copper cable and covered conductor



LARGE-L-GRIP
(with large eye lever)

OPTION
(SAFETY LATCH)

SAFE LOAD	MIN. CABLE DIA.	MAX. CABLE DIA.	WT.
20KN(2.0T)	16 ³ / ₁₆ "	32 ³ / ₁₆ "	2.1kg

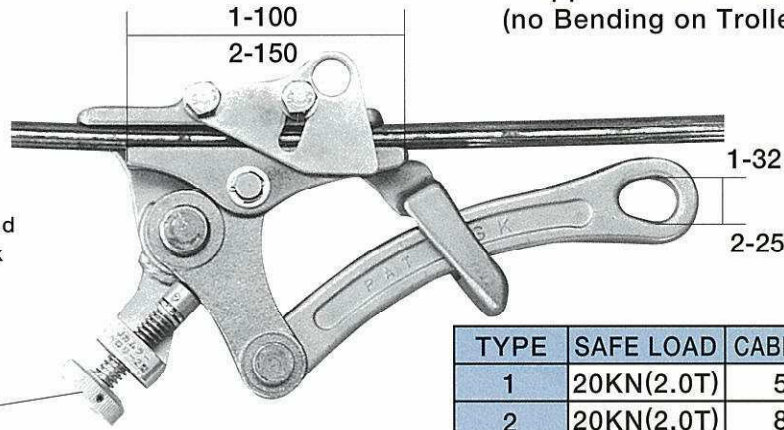
TROLLEY-GRIP

TYPE-1
TYPE-2

For trolley cable, messenger wire, wire rope and copper cable of RAIL-WAY (no Bending on Trolley)

Especially Designed for RAIL-WAY work

Lock (OPTION)

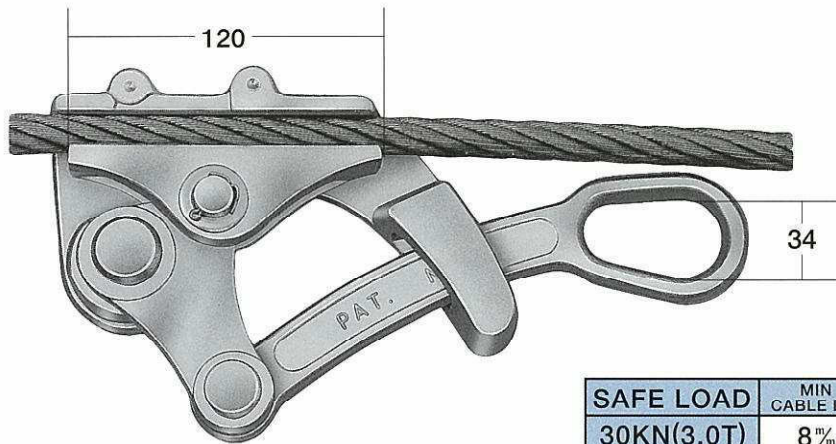


NEW

TYPE	SAFE LOAD	CABLE RANGE	JAW L.	WT.
1	20KN(2.0T)	5-16 mm	100 mm	1.5kg
2	20KN(2.0T)	8-20 mm	150 mm	2.8kg

3TON-GRIP

For wire rope, messenger wire, copper cable and trolley cable

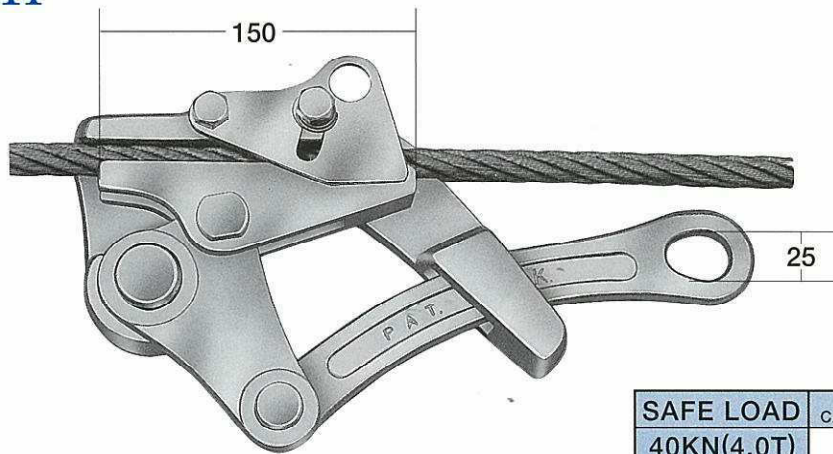


OPTION (SAFETY LATCH)

SAFE LOAD	MIN CABLE DIA	MAX CABLE DIA	WT.
30KN(3.0T)	8 mm	22 mm	3kg

4TON-GRIP

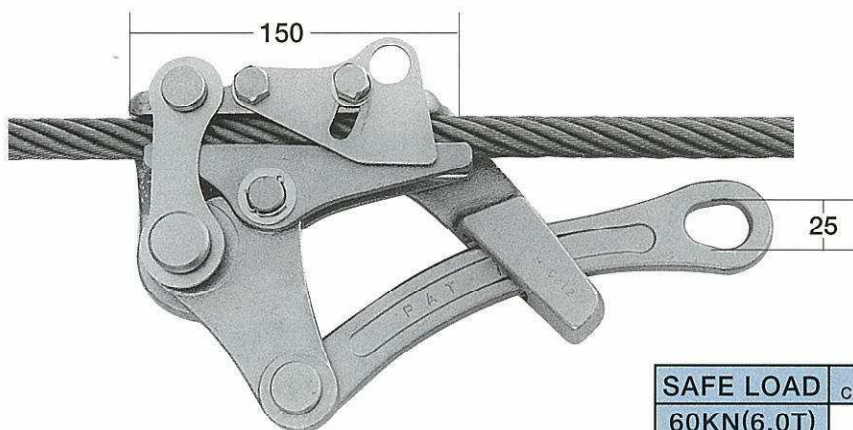
For wire rope, messenger wire, copper cable and trolley cable



SAFE LOAD	MIN CABLE DIA	MAX CABLE DIA	WT.
40KN(4.0T)	13 mm	28 mm	5kg

6TON-GRIP

For wire rope, messenger wire, copper cable and trolley cable

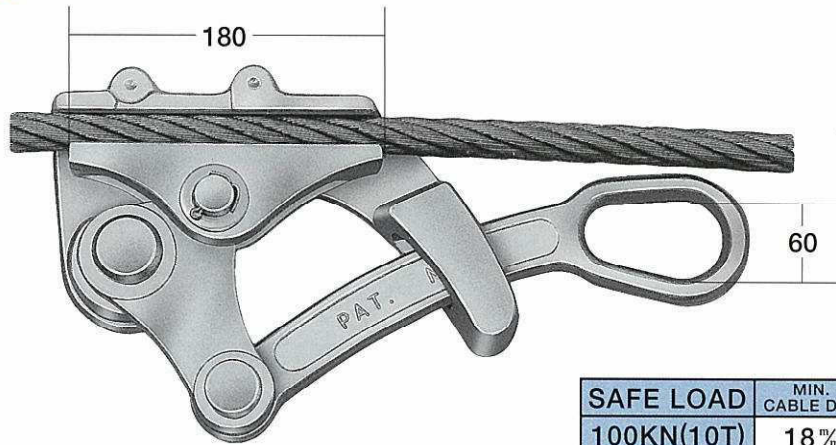


NEW

SAFE LOAD	MIN CABLE DIA	MAX CABLE DIA	WT.
60KN(6.0T)	13 mm	28 mm	5.2kg

10TON-GRIP

For wire rope, messenger wire

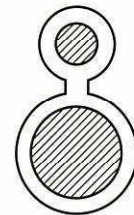
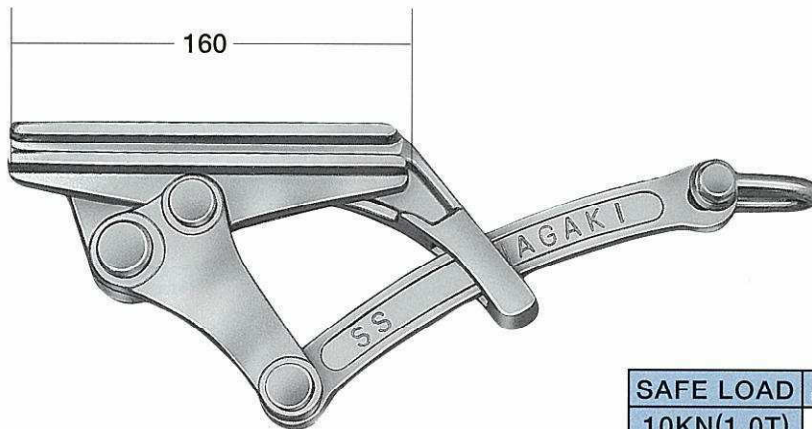


NEW

SAFE LOAD	MIN. CABLE DIA.	MAX. CABLE DIA.	WT.
100KN(10T)	18 ^m / _m	32 ^m / _m	10kg

SS-GRIP

For telephon cable

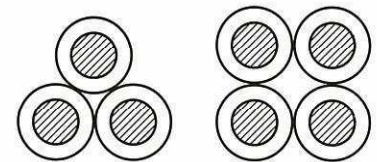
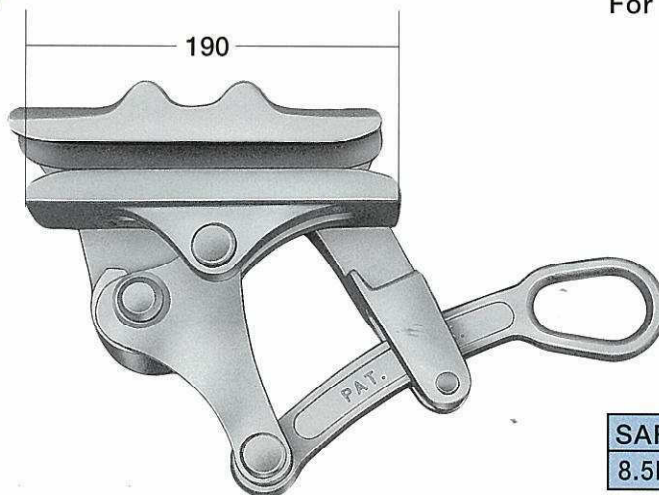


CABLE SECTION

SAFE LOAD	MIN. CABLE DIA.	MAX. CABLE DIA.	WT.
10KN(1.0T)	5 ^m / _m	12 ^m / _m	1.6kg

ABC-GRIP

For aerial boundled cable



CABLE SECTION

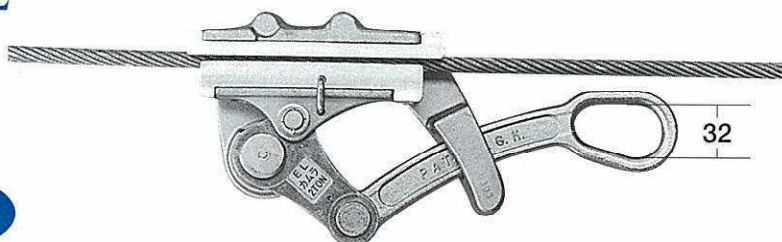
SAFE LOAD	MIN. CABLE DIA.	MAX. CABLE DIA.	WT.
8.5KN(0.85T)	4×35°	4×95°	3kg

OPTION
(SAFETY LATCH)

EL-GRIP

For elevator wire rope with no wire damage

TYPE-1
TYPE-2



Jaw Shoe

(OPTION)

NEW

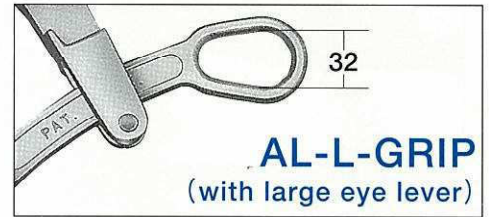
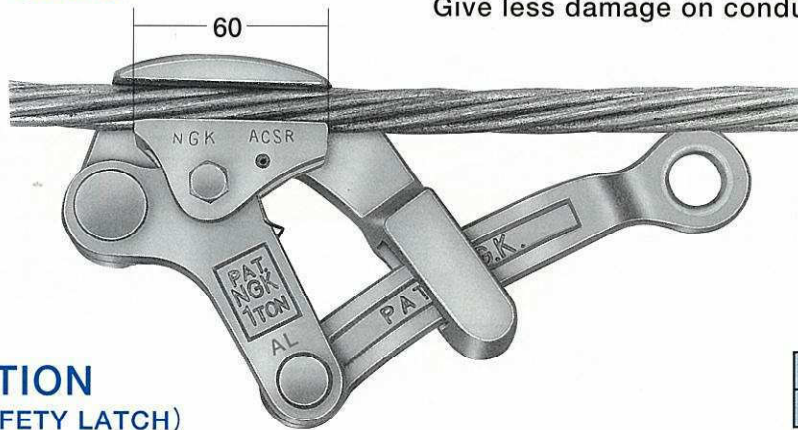
OPTION
(SAFETY LATCH)

TYPE	SAFE LOAD	Shoe for each wire rope
1	10KN(1.0T)	10. 12. 14. 16. 18
2	20KN(2.0T)	

AL-GRIPS FOR BARE AL. & CU. CABLE

AL-GRIP

All AL-GRIPS are with fine, smooth jaw.
Give less damage on conductor.



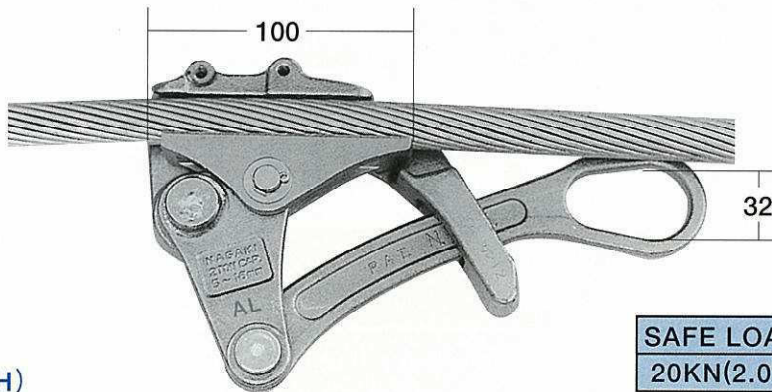
AL-L-GRIP
(with large eye lever)

OPTION
(SAFETY LATCH)

SAFE LOAD	MIN. CABLE DIA.	MAX. CABLE DIA.	WT.
10KN(1.0T)	5 ^m / _m	22 ^m / _m	1.1kg

AL-2TON-GRIP

For bare aluminum cable and bare copper cable



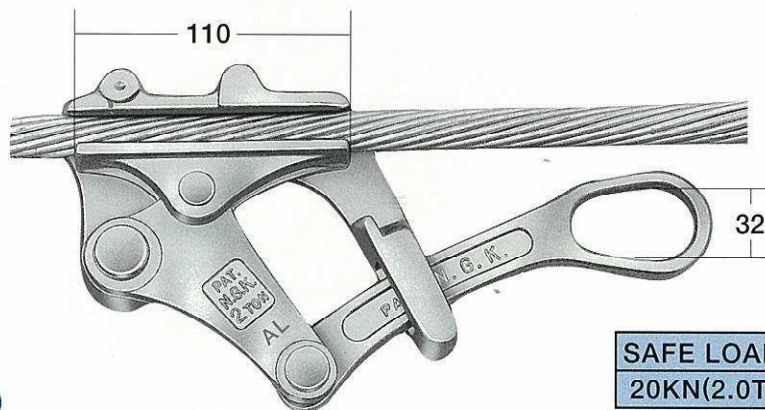
NEW

OPTION
(SAFETY LATCH)

SAFE LOAD	MIN. CABLE DIA.	MAX. CABLE DIA.	WT.
20KN(2.0T)	5 ^m / _m	16 ^m / _m	1.5kg

AL-MIDDLE-GRIP

For bare aluminum cable and bare copper cable

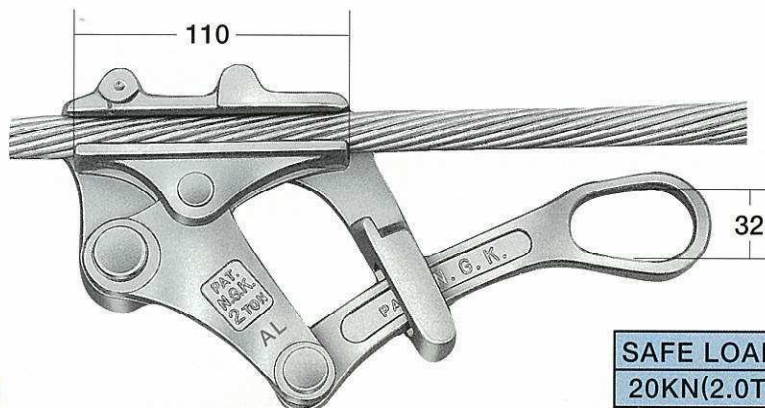


OPTION
(SAFETY LATCH)

SAFE LOAD	MIN. CABLE DIA.	MAX. CABLE DIA.	WT.
20KN(2.0T)	5 ^m / _m	25 ^m / _m	1.8kg

AL-LARGE-GRIP

For bare aluminum cable and bare copper cable

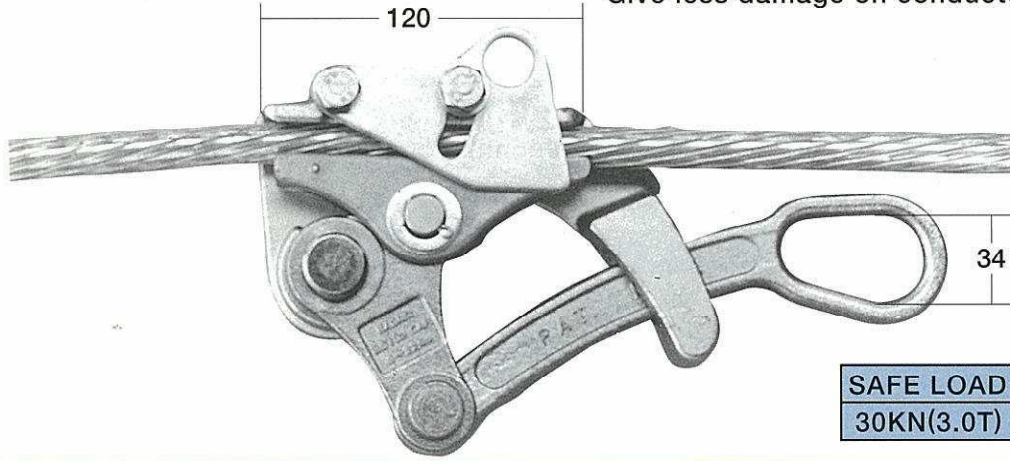


OPTION
(SAFETY LATCH)

SAFE LOAD	MIN. CABLE DIA.	MAX. CABLE DIA.	WT.
20KN(2.0T)	16 ^m / _m	32 ^m / _m	2kg

AL-3TON-GRIP

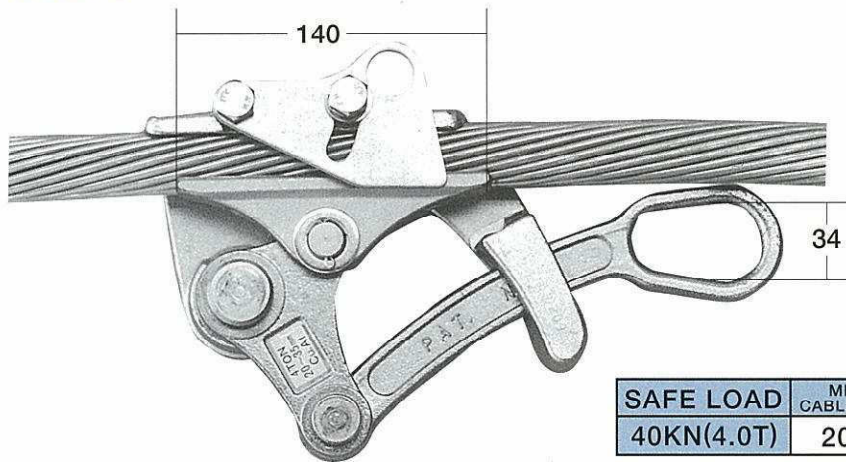
All AL-GRIPS are with fine, smooth jaw.
Give less damage on conductor.



SAFE LOAD	MIN. CABLE DIA.	MAX. CABLE DIA.	WT.
30KN(3.0T)	8 ^m / _m	22 ^m / _m	3kg

AL-4TON-GRIP

For bare aluminum cable and bare copper cable

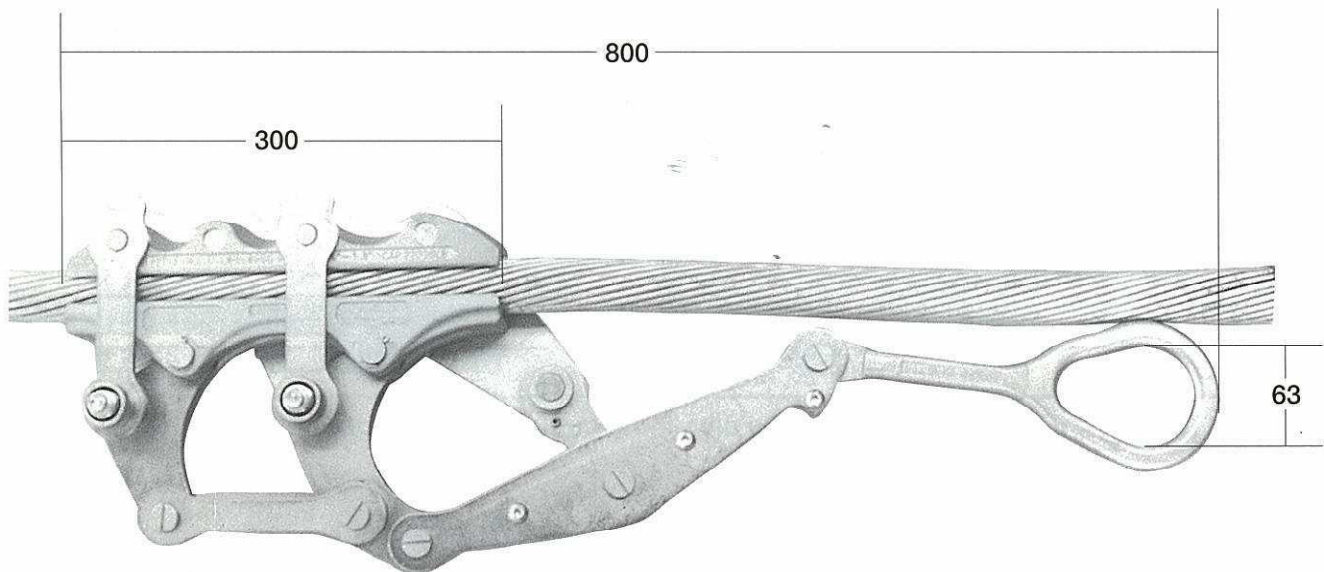


NEW

SAFE LOAD	MIN. CABLE DIA.	MAX. CABLE DIA.	WT.
40KN(4.0T)	20 ^m / _m	35 ^m / _m	3.7kg

AL-10TON-GRIP

For large size bare aluminum cable **only**
(Do not use for copper cable)



NEW

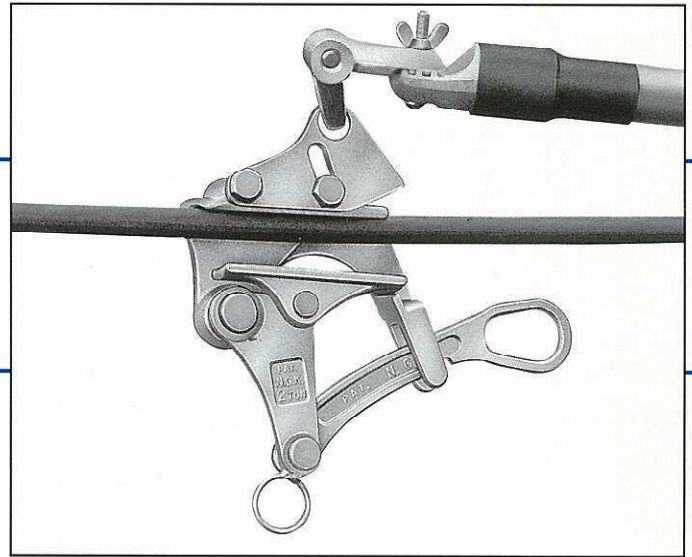
SAFE LOAD	CABLE RANGE	JAW L.	WT.
100KN(10T)	∅ 32-46 ^m / _m	300 ^m / _m	13kg
	∅ 42-52 ^m / _m (OPTION)		

GRIPS FOR HOT LINE WORK

HOT-S-GRIP

For bare aluminum cable and bare copper cable

SAFE LOAD	MIN. CABLE DIA.	MAX. CABLE DIA.	WT.
20KN(2.0T)	5 ^m / _m	16 ^m / _m	1.6kg



HOT-M-GRIP

SAFE LOAD	MIN. CABLE DIA.	MAX. CABLE DIA.	WT.
20KN(2.0T)	5 ^m / _m	25 ^m / _m	2.0kg

HOT-L-GRIP

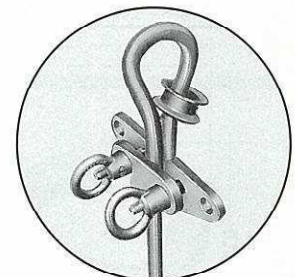
SAFE LOAD	MIN. CABLE DIA.	MAX. CABLE DIA.	WT.
20KN(2.0T)	16 ^m / _m	32 ^m / _m	2.0kg

MESSENGER-PULLEY SET

1. Attach the rod-grip closely to the neck of rod.
2. Attach the wire-grip and ratchet-puller.
3. Pull the messenger-wire and fasten the pre-formed-grip.

Ratchet-puller Model 1000
(option)

DETAIL OF ROD-GRIP



NEW

OPTION



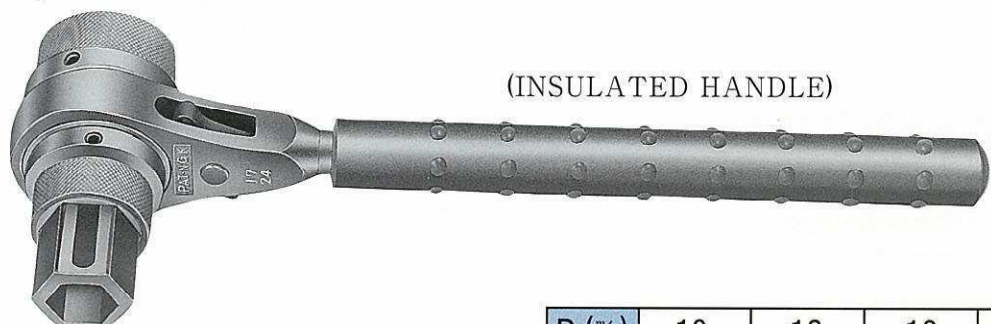
MODEL	CAPACITY	ROD	WT.
2TON	20KN(2.0T)	9 ^m / _m ~ 25 ^m / _m	3.8kg
3TON	30KN(3.0T)	9 ^m / _m ~ 25 ^m / _m	6.5kg

WT. WITHOUT RATCHET PULLER

RATCHET WRENCH

(FOUR DIFFERENT SIZE IN ONE)

MODEL
BY-3



(INSULATED HANDLE)

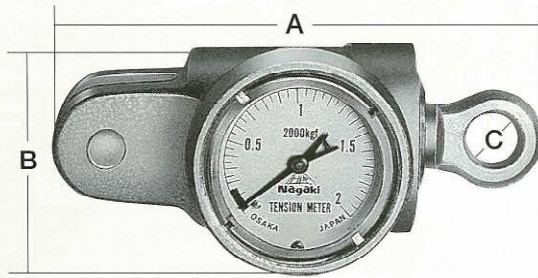
D (m/m)	10	12	16	20
B (m/m)	17	19	24	30

NAGAKI TENSION METERS

For measurement of tension and load

VERY SMALL, VERY LIGHT WEIGHT, VERY COMPACT

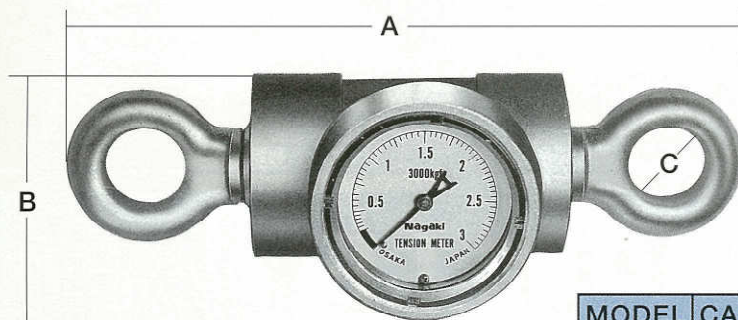
(Newton and Kg Unit)



(± 3% F.S.)

MODEL	CAPACITY	GRADUATION	A	B	C	WT.
A-1	1KN(100kg)	20N(2kg)	130 ^m / _m	65 ^m / _m	20 ^m / _m	0.7kg
A-3	3KN(300kg)	50N(5kg)	110 ^m / _m	65 ^m / _m	16 ^m / _m	0.7kg
A-5	5KN(500kg)	100N(10kg)	110 ^m / _m	65 ^m / _m	16 ^m / _m	0.7kg
A-10	10KN(1.0T)	200N(20kg)	135 ^m / _m	65 ^m / _m	16 ^m / _m	0.8kg
A-20	20KN(2.0T)	500N(50kg)	135 ^m / _m	65 ^m / _m	16 ^m / _m	1.2kg

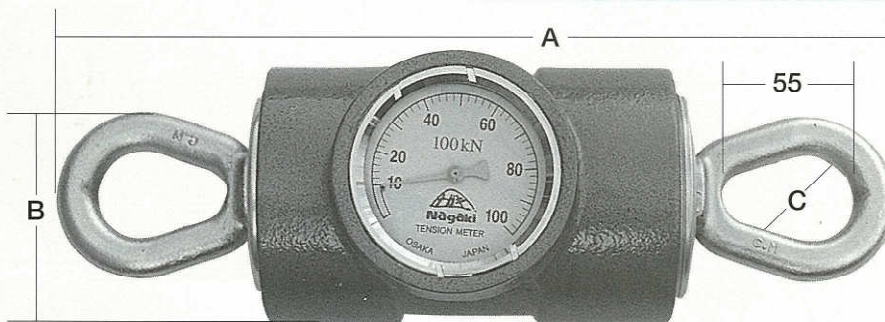
A-1 , A-3 , A-5 , A-10 , A-20



(± 3% F.S.)

MODEL	CAPACITY	GRADUATION	A	B	C	WT.
A-30	30KN(3.0T)	500N(50kg)	150 ^m / _m	80 ^m / _m	28 ^m / _m	2.0kg
A-50	50KN(5.0T)	1KN(100kg)	260 ^m / _m	95 ^m / _m	28 ^m / _m	3.0kg

A-30, A-50



NEW

(± 3% F.S.)

MODEL	CAPACITY	GRADUATION	A	B	C	WT.
A-100	100KN(10T)	2KN(200kg)	360 ^m / _m	100 ^m / _m	38 ^m / _m	7kg

A-100

